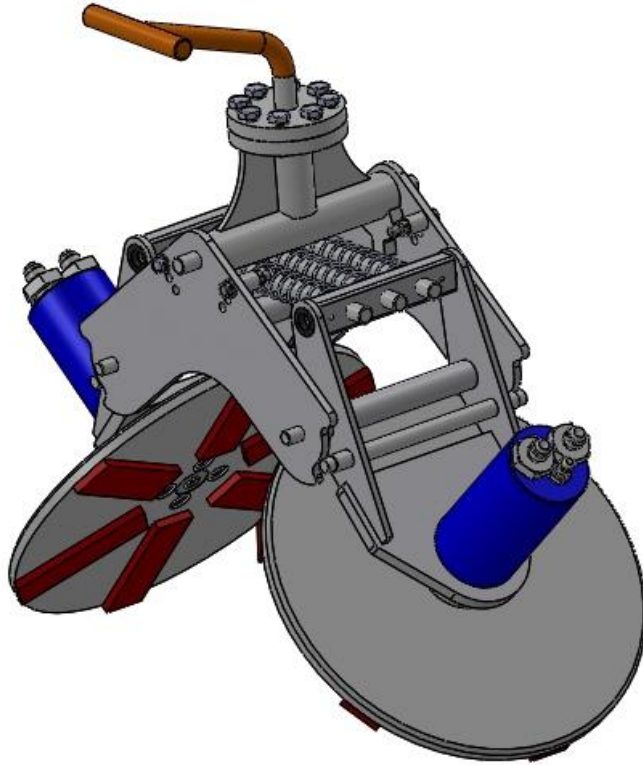


# Macduff Robotics

Intelligent Subsea Equipment



## Description:

A manipulator held hydraulically powered dual rotating head cleaning tool, with spring loaded contour following for easy cleaning of flat or cylindrical surfaces. Can be fitted with a range of cleaning head types including brush and abrasive types.

## Dual disk cleaning tool

### MAIN FEATURES

- Dual cleaning head
- Functions on cylindrical or flat surfaces
- Spring loaded contour following
- Brush or abrasive head types available
- Adjustable manipulator handle (T-bar standard)

### Further Information

Advanced spares kits also available

### Equipment supplied

Standard tool supply includes

- Cleaning tool assembly
- 10m long feed, return, and drain hoses
- Operating Manual
- Basic spares kit (springs, bushes)



info@macduff-robotics.com

## Specifications

Weight in Air	.....	TBC
Weight in sea water	.....	TBC
Hydraulic feeds required	.....	1
Hydraulic pressure	.....	140bar
Hydraulic flow	.....	30L/min

## Optional additions

- Hydraulic control panel available to limit maximum motor speed and to ensure disk speed matching.
- D-type or fishtail manipulator handles available

Information contained in this data sheet is up-to-date and correct as at the date of issue. All product designs, specifications and data are subject to change without notice to improve reliability, function, design or otherwise. No express or implied warranties are given.